



STARVIEW
TECHNOLOGIES
Infinite Possibilities



STARVIEW SA-C SERIES INDOOR LED VIDEO WALL

Copyright © 2023 Starview Technologies Private Limited. All rights reserved.

Singapore Headquarters: 60 Kaki Bukit Place, #05-19 Eunos Techpark, Singapore 415979

Website: www.starviewtech.asia or www.starviewtech.net | Email: sales@starviewint.com | Tel: +65 31575338



DESCRIPTION

The Starview SA-C Series panels feature a lightweight die-cast aluminum frame and high brightness LEDs, delivering great visual performance in any light condition. The Starview SA-C Series is light weight and easy to handle enabling it to be an attractive solution for hanging video walls or traditional video walls favoring a compact fine pitch solution. Add aesthetic value to indoor environments with LED visual solutions and make your mark. The Starview C-series is manufactured using the highest quality LED components, offering stunning brightness, contrast and color reproduction.

FEATURES

- Available in P1.5, P1.8, P2, P2.5 pixel pitches
- Chip of LED uses XGT SMD LED 3-in-1 with high-performance
- Compatible for hanging or free-standing
- Installation environment: Indoor
- Front & Rear Maintenance Access
- High-definition, bright and seamless visuals with wide viewing angles

Website: www.starviewtech.asia or www.starviewtech.net | Email: sales@starviewint.com | Tell: +65 31575338

PRODUCT ADVANTAGES



Minimal Power Consumption

Power consumption has been a major concern for many LED applications, especially those requiring 24/7 operation. Starview LED displays are designed with optimized power supplies to limit power consumption to a minimum. This not only helps you save money but also confirms Starview's long-term commitment to environmental protection and core focus on green energy-efficient solutions.



Ease Of Services

Starview strives to provide each customer with the best service possible in any application. This starts with designing displays with ease of service in mind. With front and rear access, our High Resolution Indoor Video Displays provide dynamic video quality with worry-free installation and service.



Uniform Colors and Brightness all the time

Starview LED technology guarantees uniform colors and brightness across the display. With this advanced technology, you can mix different batches of tiles and expect the best picture with accuracy and consistency over the lifetime of the display.



High Definition Displays

The Starview SA-C Series offers the finest pixel pitch LED display solutions, suitable for the most demanding applications where a fine pixel pitch is a need in a fixed installation environment such as conference room, control room, studio, lobby, airports, shops, etc.

Website: www.starviewtech.asia or www.starviewtech.net | Email: sales@starviewint.com | Tell: +65 31575338

INDOOR LED DISPLAY TECHNOLOGY

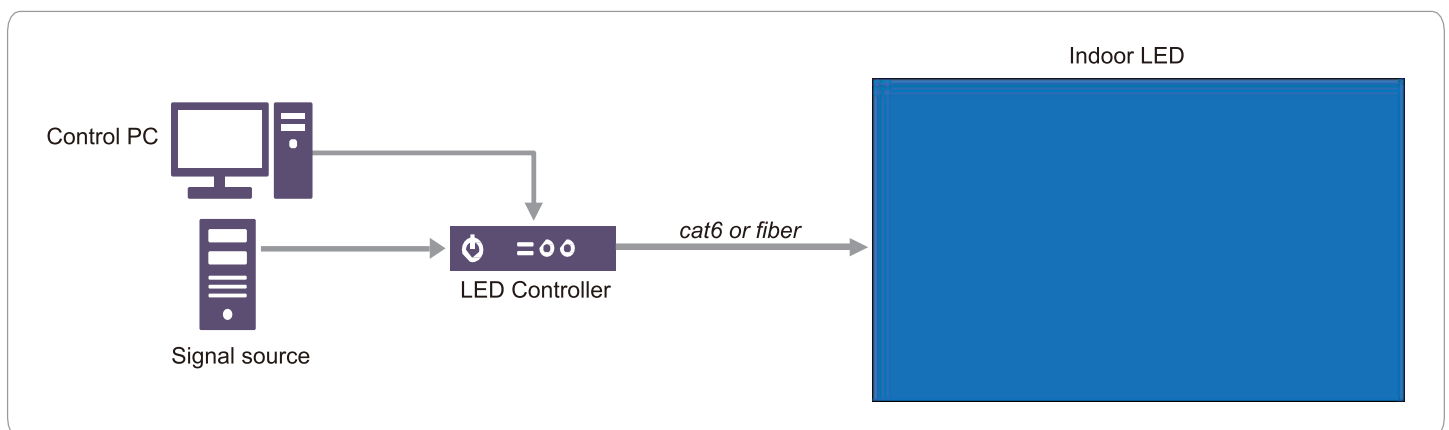


Starview brings LED video to the next level with its standard package LED display solution. Designed for premier applications that require the highest image quality at the closest viewing distances, this product takes advantage of 3-in-1 SMD (surface-mount device) LED technology to produce exceptional brightness, unsurpassed viewing angles and incredible picture detail. Starview can provide flexible solutions to fit customers' unique display needs, right down to the LED.

EFFICIENT DESIGN

High efficiency design allows the product to overcome harsh interior lighting conditions without pushing electrical components beyond their capabilities. This saves energy, increases reliability and extends lifetime.

LED SYSTEM DIAGRAM



Website: www.starviewtech.asia or www.starviewtech.net | Email: sales@starviewint.com | Tell: +65 31575338

SPECIFICATION

STARVIEW SA-C SERIES INDOOR LED VIDEO WALL SPECIFICATIONS				
Model	SA-C1.5	SA-C1.8	SA-C2.0	SA-C2.5
Pixel Pitch	1.53 mm	1.875 mm	2.0 mm	2.5 mm
Pixel Configuration	SMD1212, RGB 3-in-1	SMD1515, RGB 3-in-1	SMD1515, RGB 3-in-1	SMD2121, RGB 3-in-1
Pixel Density	422,500 pixels/m ²	284,444 pixels/m ²	250,000 pixels/m ²	160,000 pixels/m ²
Module Resolution (W x H)	208 x 104 pixels	172 x 86 pixels	160 x 80 pixels	128 x 64 pixels
Module Size (W x H)	320 x 160 mm	320 x 160 mm	320 x 160 mm	320 x 160 mm
Cabinet Resolution (W x H)	416 x 312 pixels	344 x 258 pixels	320 x 240 pixels	256 x 192 pixels
Cabinet Size (W x H)	640 x 480 mm			
Modules/Cabinet (W x H)	2 x 3			
Cabinet Weight	7 kg			
Cabinet Design	Aluminum			
Maximum Power	700 W/m ²	600 W/m ²	600 W/m ²	600 W/m ²
Average Power	150 - 250 W/m ²	150 - 250 W/m ²	150 - 250 W/m ²	150 - 250 W/m ²
Brightness	600 - 800 cd/m ²	600 - 800 cd/m ²	800 cd/m ²	800 - 900 cd/m ²
Color Temperature (Adjustable)	1000 - 18,500K (Optional)			
Viewing Angle (H/V)	160° / 160°			
Display Colors	687 million			
Contrast Ratio	5000 : 1			
Frame Rate	50/60 Hz			
Driver IC	2163 IC	2163 IC	2163 IC	2037 IC
Refresh Rate (Adjustable)	3840 Hz	3840 Hz	3840 Hz	1920 Hz
Scan Mode	1/48	1/43	1/40	1/32
Gray Scale	65,536 Shades Per Color			
Service Access	Front or Rear			
LED Lifetime	> 100,000 hours			
Line Voltage	100-240 VAC @50/60Hz			
Working Temperature	-20° ~ 60°C			
Working Humidity	10% ~ 85%RH			
Storage Temperature	-20° ~ 60°C			
Storage Humidity	10% ~ 85%RH			
Best View Distancing	1.5 - 50m	2 - 50m	2 - 50m	3 - 100m
Certificate	CCC/ CE/ RoHS/ FCC			

Website: www.starviewtech.asia or www.starviewtech.net | Email: sales@starviewint.com | Tell: +65 31575338

Corporate offices

STARVIEW TECHNOLOGIES PTE LTD

Singapore Headquarters

60 Kaki Bukit Place
#05-19 Eunos Techpark
Singapore 415979

Tel: +65 3157 5338
Fax: +65 3112 8181

Worldwide offices

Vietnam

Hanoi Office

R10, 33th Floor, C2 Building, D'Capitale,
119 Tran Duy Hung Street,
Trung Hoa - Cau Giay, Hanoi

Ho Chi Minh Office

#C9-16, Block A, Sky Center Building,
#10 Pho Quang Street,
Tan Binh District, Ho Chi Minh City

Danang Office

Add: Suite 607, Floor 6th Altara Suites
by Ri-yaz 120 Vo Nguyen Giap, Phuoc My,
Son Tra, Danang

Tel: (024) 66661268
Hotline: 19008695
Sale Contact: 0866.207.855

Australia

Melbourne Office

140 Williams Street,
Melbourne VIC 3000

Representatives

Brazil

Tel: +55 11 9-8244-7630

Germany

Tel: +49 172 946 69 39

France - Benelux - Africa

Tel: +33 782 702 214

Southern, Eastern Europe & Middle East Operations

Tel: +420 602 66 75 66

